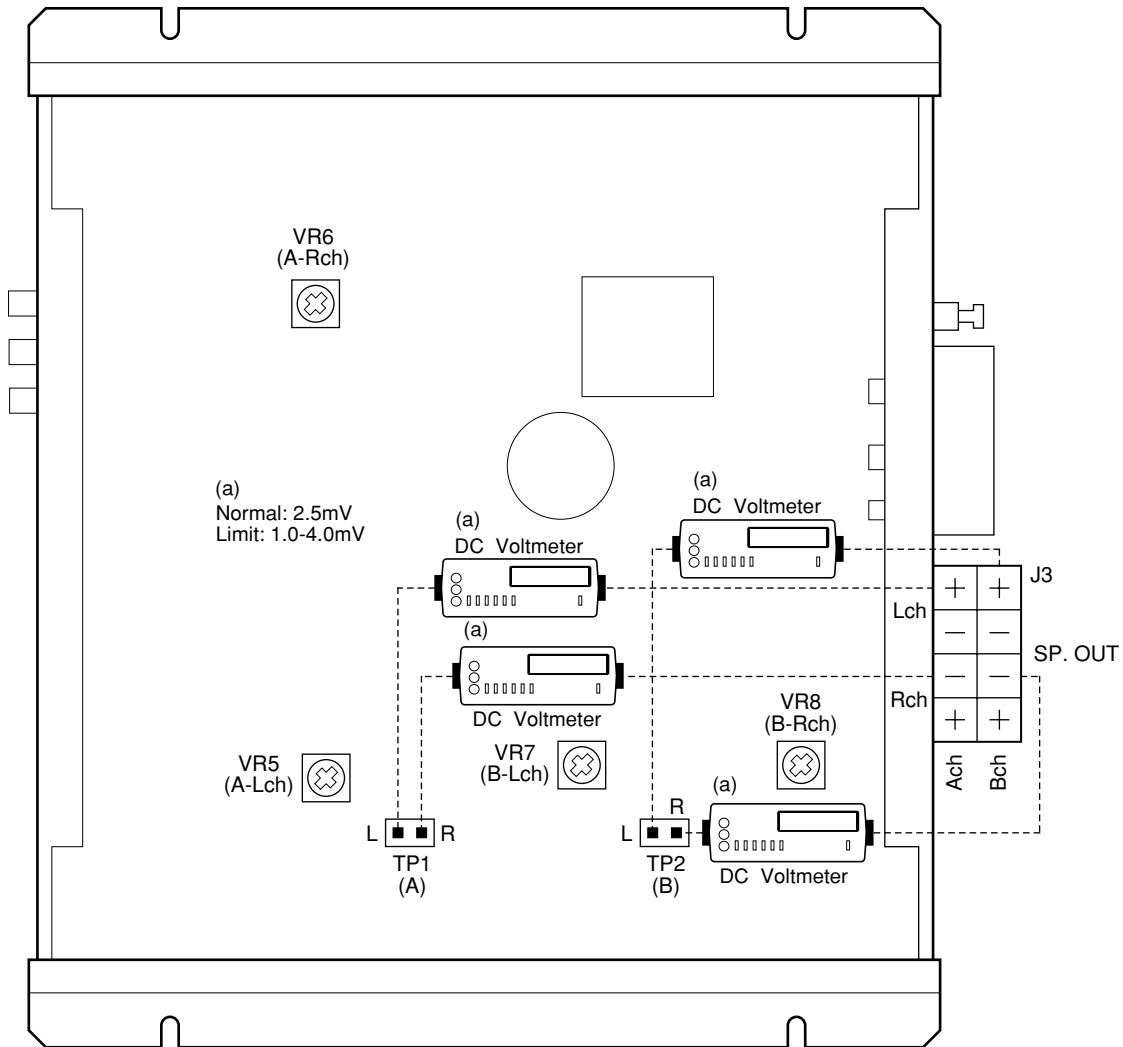


KAC-749S

ADJUSTMENT

No.	ITEM	INPUT SETTINGS	OUTPUT SETTINGS	RECEIVER SETTINGS	ALIGNMENT POINTS	ALIGN FOR	FIG.
Connect a cassette receiver or CD receiver.							
1	IDEL CURRENT	-	Connect a DC voltmeter between TP1/TP2 and J3 (SP.OUT, L+/R-)	VOLUME : 0	(A) VR5 (L ch) VR6 (R ch) (B) VR7 (L ch) VR8 (R ch) (X09-)	(Normal) 2.5mV (Limit) 1.0-4.0mV	(a)

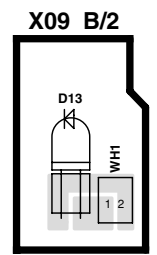
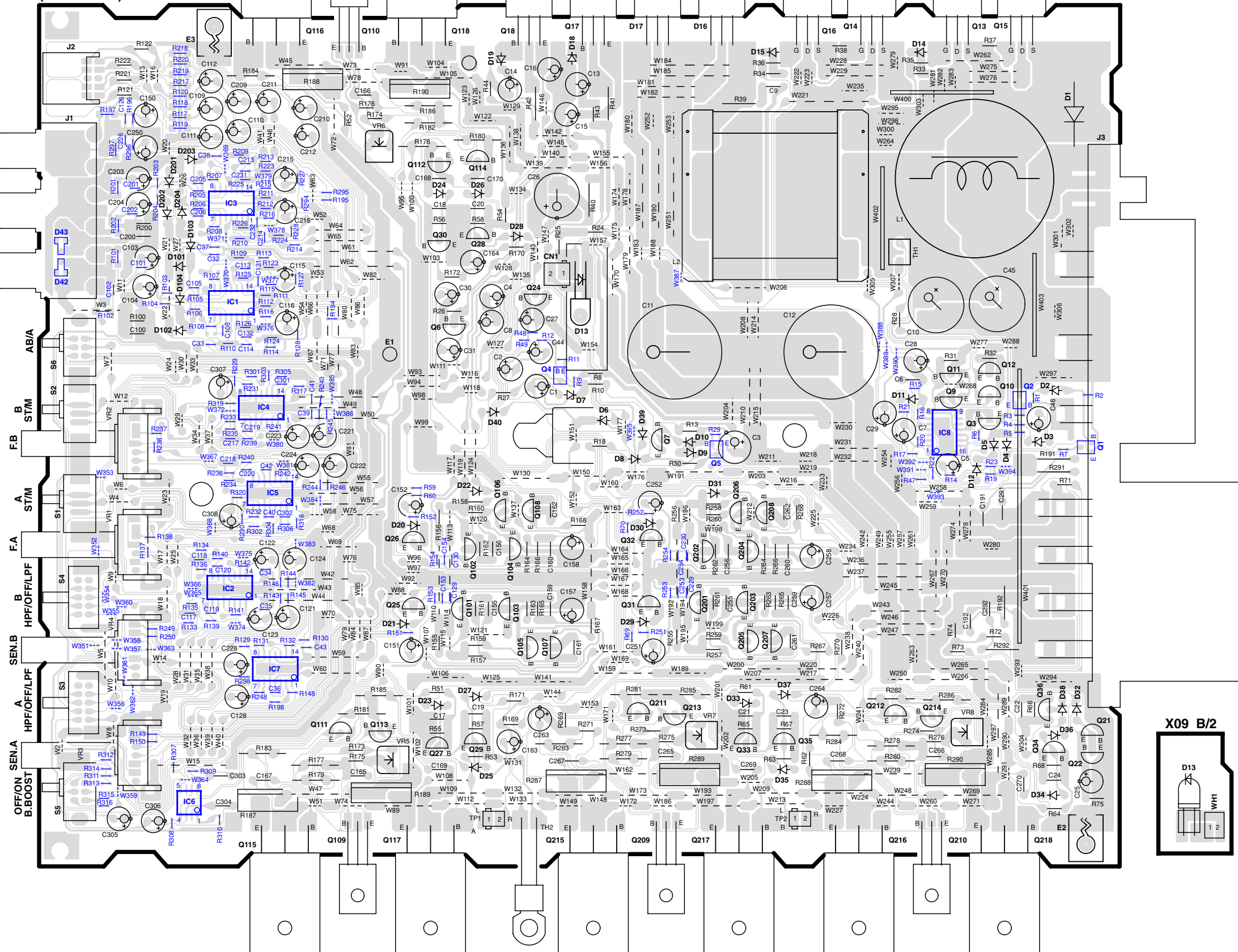


PC BOARD (Component side view)

(X09-)

Ref. No.	Add.	Ref. No.	Add.
IC1	3C	Q35	6F
IC2	5C	Q36	5H
IC3	3C	Q101	5E
IC4	4C	Q102	5E
IC5	4C	Q103	5E
IC6	6C	Q104	5E
IC7	5C	Q105	5E
IC8	4G	Q106	4E
Q1	4H	Q107	5E
Q2	4H	Q108	4E
Q3	4H	Q109	7D
Q4	4E	Q110	1D
Q5	4F	Q111	6D
Q6	3D	Q112	2D
Q7	4F	Q113	6D
Q9	4G	Q114	2E
Q10	4H	Q115	7C
Q11	4G	Q116	1C
Q12	3H	Q117	7D
Q13	1G	Q118	1D
Q14	1G	Q201	5F
Q15	1H	Q202	5F
Q16	1G	Q203	5F
Q17	1E	Q204	5F
Q18	1E	Q205	5F
Q21	6H	Q206	4F
Q22	6H	Q207	5F
Q24	3E	Q208	4F
Q25	5D	Q209	7F
Q26	4D	Q210	7G
Q27	6D	Q211	5F
Q28	3E	Q212	5G
Q29	6E	Q213	6F
Q30	3D	Q214	5G
Q31	5F	Q215	7E
Q32	4F	Q216	7G
Q33	6F	Q217	6F
Q34	6H	Q218	7H

AUDIO UNIT
 X09-5370-10 A/2 (KAC-749S)
 X09-5390-10 A/2 (KAC-849)
 (J74-1196-21)

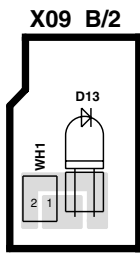
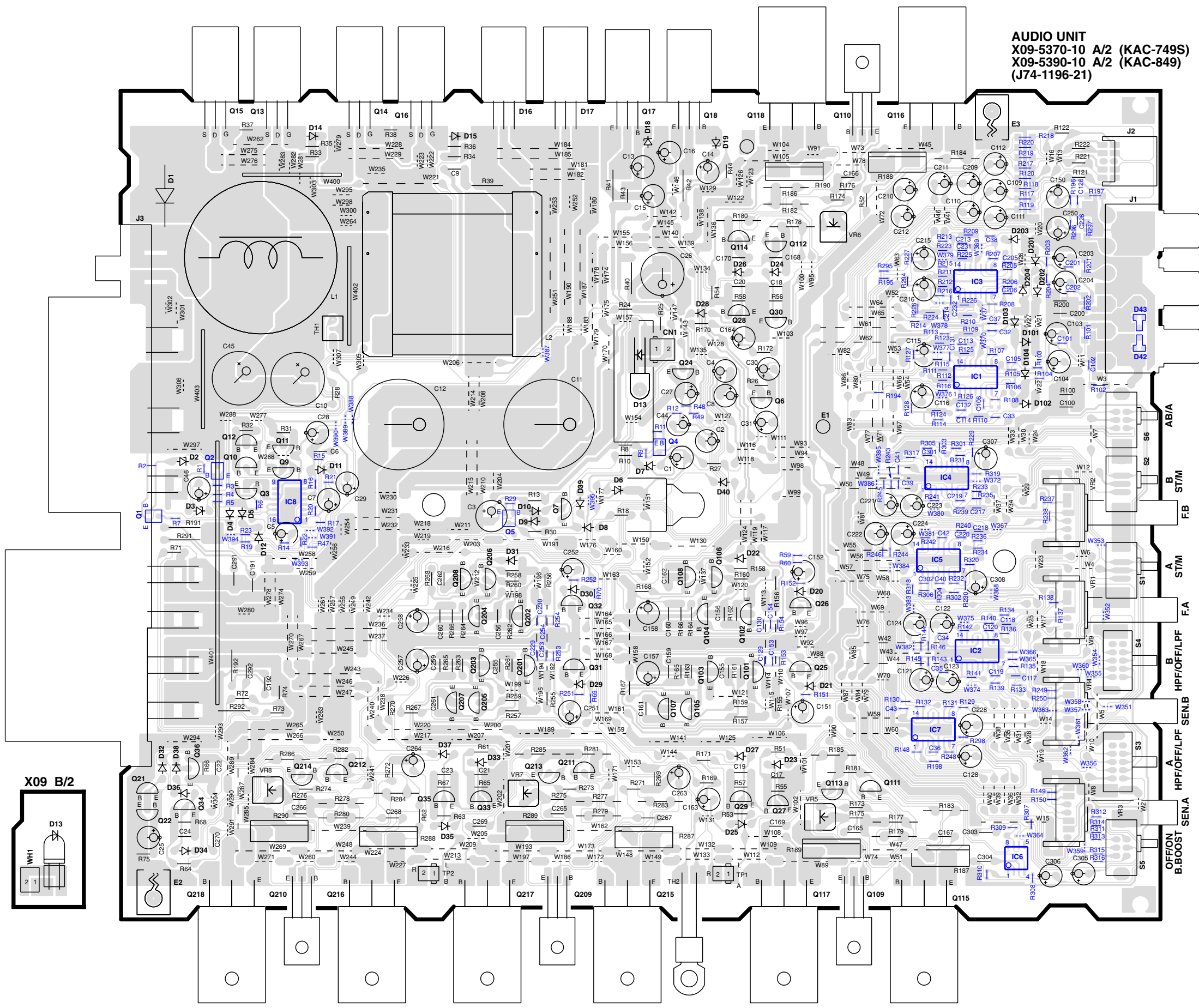


PC BOARD (Foil side view)

AUDIO UNIT
 X09-5370-10 A/2 (KAC-749S)
 X09-5390-10 A/2 (KAC-849)
 (J74-1196-21)

(X09-)

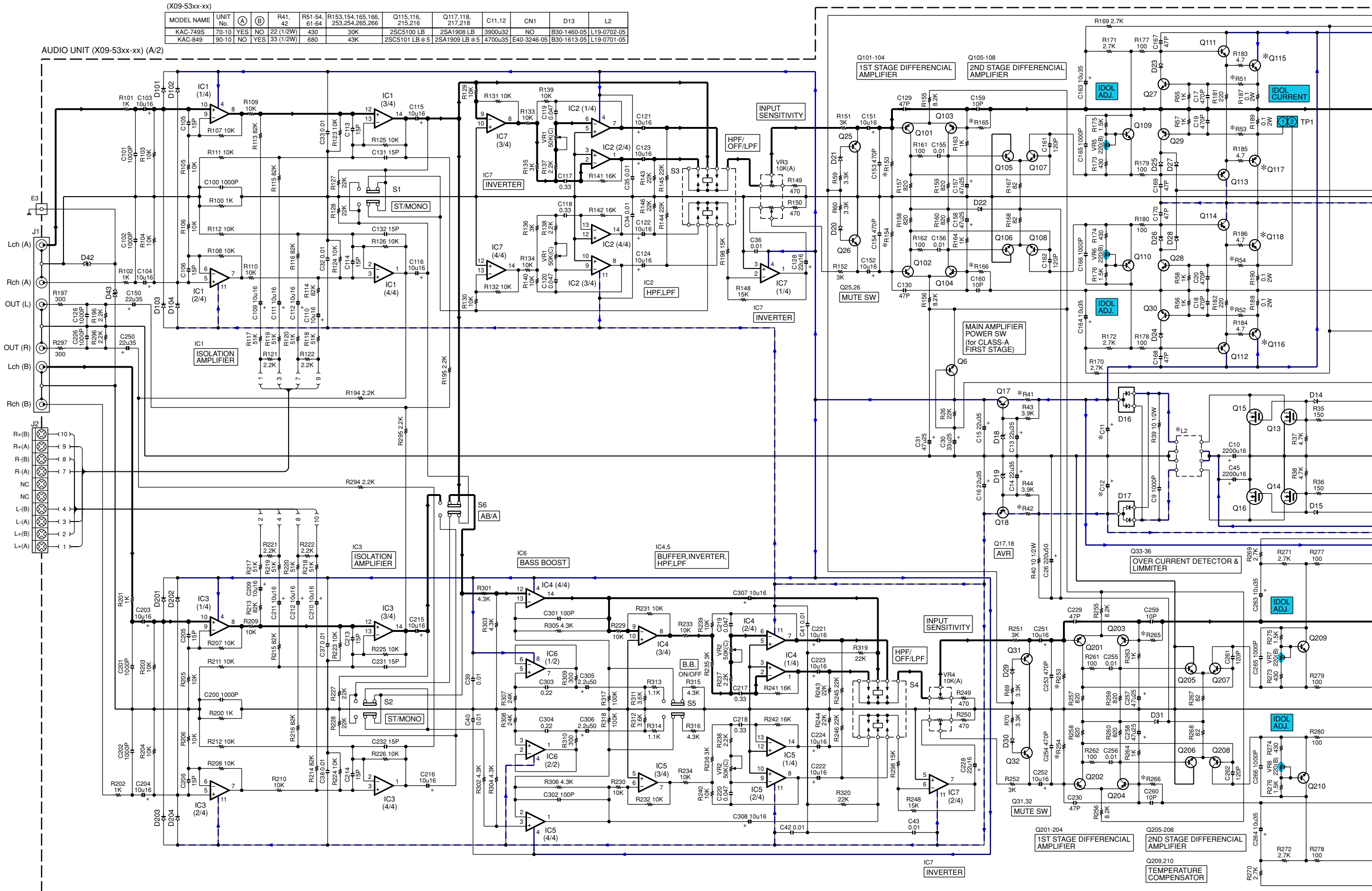
Ref. No.	Add.	Ref. No.	Add.
IC1	3R	Q35	5N
IC2	5R	Q36	5M
IC3	3R	Q101	5P
IC4	4Q	Q102	5P
IC5	4Q	Q103	5P
IC6	6R	Q104	5P
IC7	5Q	Q105	5P
IC8	4M	Q106	4P
Q1	4L	Q107	5P
Q2	4M	Q108	4P
Q3	4M	Q109	7Q
Q4	4P	Q110	1Q
Q5	4O	Q111	6Q
Q6	3P	Q112	2P
Q7	4O	Q113	6Q
Q9	4M	Q114	2P
Q10	4M	Q115	7Q
Q11	3M	Q116	1Q
Q12	4M	Q117	7P
Q13	1M	Q118	1P
Q14	1N	Q201	5O
Q15	1M	Q202	5O
Q16	1N	Q203	5O
Q17	1P	Q204	5O
Q18	1P	Q205	5O
Q21	6M	Q206	4O
Q22	6M	Q207	5N
Q24	3P	Q208	4Q
Q25	5Q	Q209	7O
Q26	5Q	Q210	7N
Q27	6P	Q211	5O
Q28	3P	Q212	5N
Q29	6P	Q213	6O
Q30	3P	Q214	6N
Q32	5Q	Q216	7N
Q33	6O	Q217	7O
Q34	6M	Q218	7M



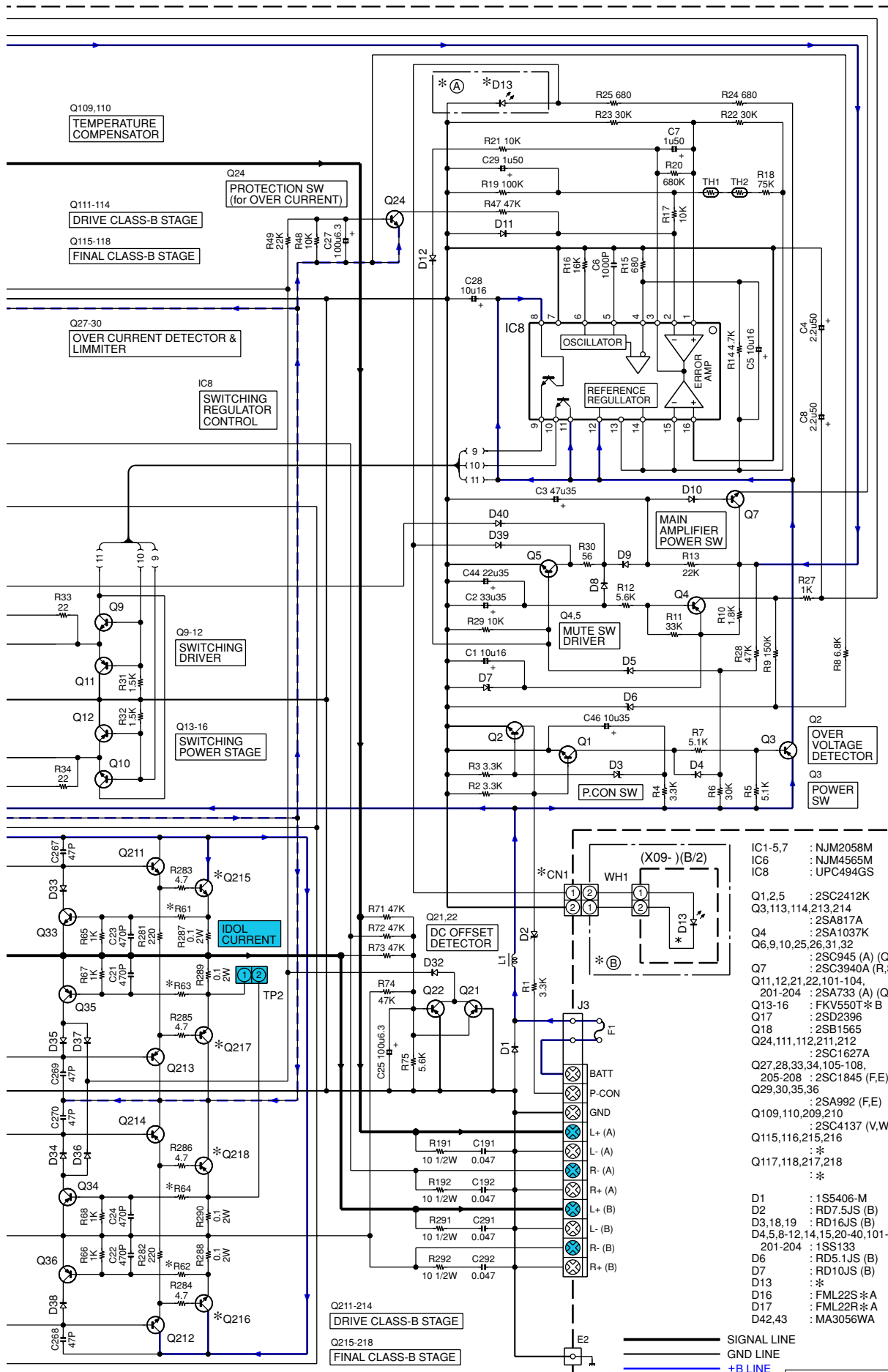
Refer to the schematic diagram for the value of resistors and capacitors.

(X09-53xx-xx)		UNIT No.	(A)	(B)	R41, 42	R51-54, 61-64	R153,154,165,166, 253,254,265,266	Q115,116, 215,216	Q117,118, 217,218	C11,12	CN1	D13	L2
KAC-749S	70-10	YES	NO	22 (1/2W)	430	30K	2SC5100 LB	2SC5100 LB	2SA1908 LB	3900u32	NO	B30-1460-05	L19-0702-05
KAC-849	90-10	NO	YES	33 (1/2W)	680	43K	2SC5101 LB*5	2SA1909 LB*5	4700u35	E40-3246-05	B30-1613-05	L19-0701-05	

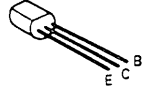
AUDIO UNIT (X09-53xx-xx) (A/2)



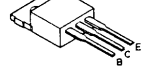
CAUTION: For continued safety, replace safety critical components only with manufacturer's recommended parts (refer to parts list). ⚠ indicates safety critical components. For continued protection against risk of fire, replace only with same type and rating fuse(s). To reduce the risk of electric shock, leakage-current or resistance measurements shall be carried out (exposed parts are acceptably insulated from the supply circuit) before the appliance is returned to the customer.



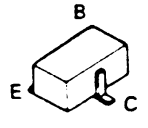
2SA733(A)
 2SA817A
 2SA992
 2SC1627A
 2SC1845
 2SC3940A
 2SC945(A)



2SB1565
 2SD2396



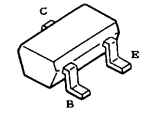
2SC2412K



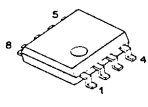
2SC4137



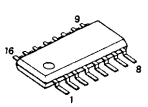
2SA1037K



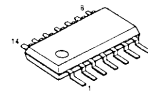
NJM4565M



UPC494GS



NJM2058M



- IC1-5,7 : NJM2058M
- IC6 : NJM4565M
- IC8 : UPC494GS
- Q1,2,5 : 2SC2412K
- Q3,113,114,213,214 : 2SA817A
- Q4 : 2SA1037K
- Q6,9,10,25,26,31,32 : 2SC945 (A) (Q,P)
- Q7 : 2SC3940A (R,S)
- Q11,12,21,22,101-104, 201-204 : 2SA733 (A) (Q,P)
- Q13-16 : FKV550T*B
- Q17 : 2SD2396
- Q18 : 2SB1565
- Q24,111,112,211,212 : 2SC1627A
- Q27,28,33,34,105-108, 205-208 : 2SC1845 (F,E)
- Q29,30,35,36 : 2SA992 (F,E)
- Q109,110,209,210 : 2SC4137 (V,W)
- Q115,116,215,216 : *
- Q117,118,217,218 : *
- D1 : 1S5406-M
- D2 : RD7.5JS (B)
- D3,18,19 : RD16JS (B)
- D4,5,8-12,14,15,20-40,101-104, 201-204 : 1SS133
- D6 : RD5.1JS (B)
- D7 : RD10JS (B)
- D13 : *
- D16 : FML22S*A
- D17 : FML22R*A
- D42,43 : MA3056WA

Q211-214 : DRIVE CLASS-B STAGE
 Q215-218 : FINAL CLASS-B STAGE

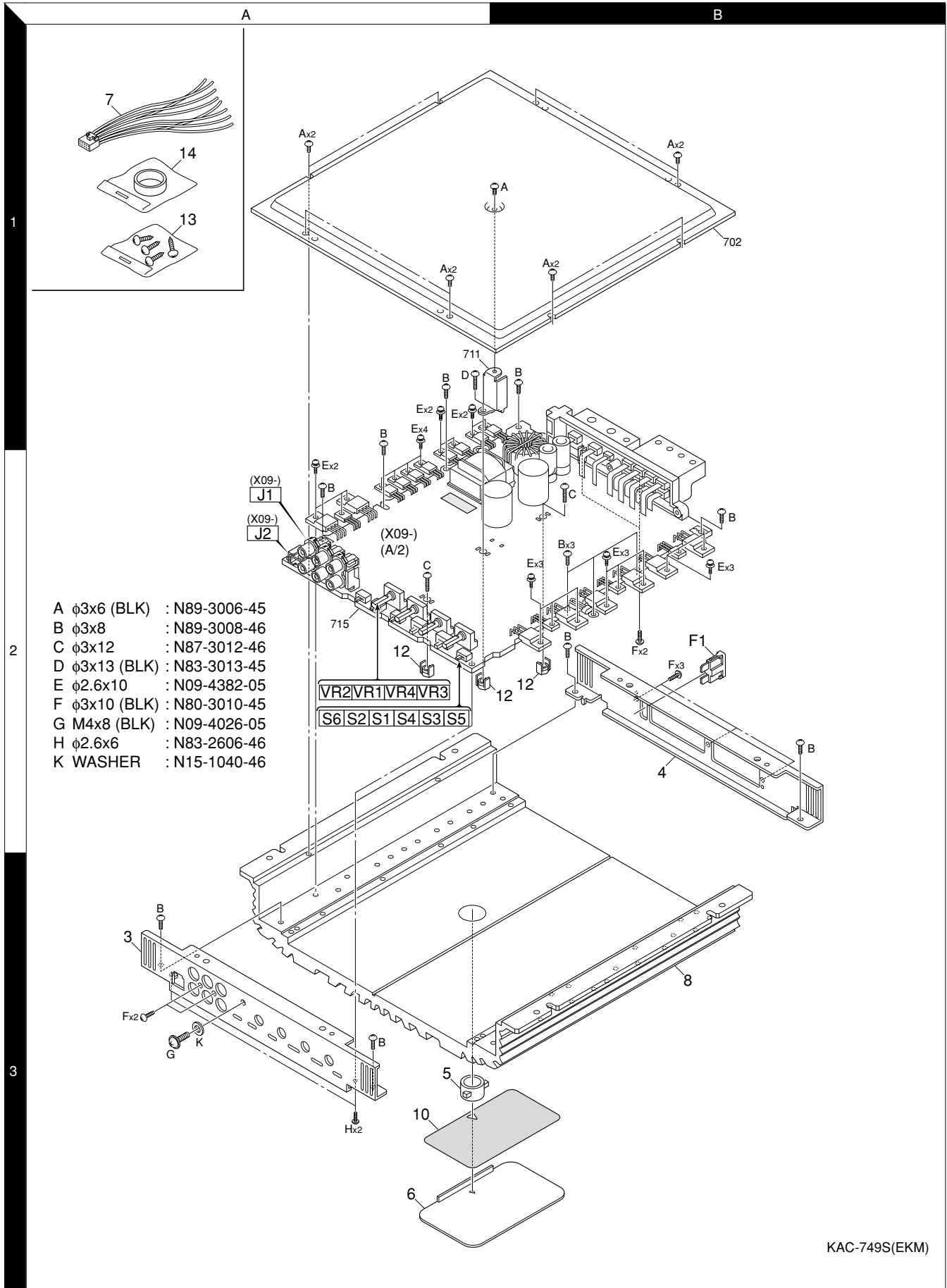
KAC-749S (E,K,M)

KAC-749S

KENWOOD

KAC-749S

EXPLODED VIEW



KAC-749S(EKM)

PARTS LIST

* New Parts

Parts without Part No. are not supplied.

Les articles non mentionnés dans le Parts No. ne sont pas fournis.

Teile ohne Parts No. werden nicht geliefert.

(X09-5370-10)

Ref. No.	A d d	N e w	Parts No.	Description	Desti- nation
KAC-749S					
3	3A	*	A64-2334-02	FRONT PANEL	
4	2B	*	A84-0278-02	REAR PANEL	
5	3A	*	B19-2082-04	LIGHTING BOARD	
6	3A	*	B43-1278-03	BADGE	
-			B46-0100-50	WARRANTY CARD	
-		*	B64-1969-00	INST. MANUAL (ENGLISH)	KE1
-		*	B64-1970-00	INST. MANUAL (FRENCH,SPANISH)	KE1
-		*	B64-1971-00	INST. MANUAL (GERMAN,DUTCH)	E1
-		*	B64-1972-00	INST. MANUAL (ITA,POR)	E1
-		*	B64-1973-00	INST. MANUAL (ENG,CHI)	M1
7	1A	*	E30-4949-05	CONNECTING CORD ASSY	
8	3B	*	F01-1658-01	HEAT SINK	
△ F1	2B	*	F52-0015-05	FUSE (BLADE TYPE) (30A)	
10	3A	*	H30-0543-03	ADHESIVE DOUBLE-COATED TAPE	
-			H10-4645-03	POLYSTYRENE FOAMED FIXTURE	
-			H25-0321-04	PROTECTION BAG (600X315X0.03)	
-			H25-0336-04	PROTECTION BAG (170X250X0.03)	
-		*	H54-2068-03	ITEM CARTON CASE	
12	2A		J30-1066-04	SPACER	
13	1A		N99-1587-05	SCREW SET	
A	1A		N89-3006-45	BINDING HEAD TAPTITE SCREW	
B	2A		N89-3008-46	BINDING HEAD TAPTITE SCREW	
C	2B		N87-3012-46	BRAZIER HEAD TAPTITE SCREW	
D	1A		N83-3013-45	PAN HEAD TAPTITE SCREW	
E	2B		N09-4382-05	TAPTITE SCREW (2.6X10)	
F	3A		N80-3010-45	PAN HEAD TAPTITE SCREW	
G	3A		N09-4026-05	TAPPING SCREW (4X8,TP,S)	
H	3A		N83-2606-46	PAN HEAD TAPTITE SCREW	
K	3A		N15-1040-46	FLAT WASHER	
14	1A		W01-1515-05	TERMINAL COVER SET	
AUDIO UNIT (X09-5370-10)					
D13		*	B30-1460-05	LED (RED)	
C1			CE04DW1C100M	ELECTRO 10UF 16WV	
C2			CE04DW1V330M	ELECTRO 33UF 35WV	
C3			CE04DW1V470M	ELECTRO 47UF 35WV	
C4			CE04DW1H2R2M	ELECTRO 2.2UF 50WV	
C5			CE04DW1C100M	ELECTRO 10UF 16WV	
C6			CF92FV1H102J	MF-C 1000PF J	
C7			CE04DW1H010M	ELECTRO 1.0UF 50WV	
C8			CE04DW1H2R2M	ELECTRO 2.2UF 50WV	
C9			CF92FV1H822J	MF-C 8200PF J	
C10			C90-2566-05	ELECTRO 2200UF 16WV	
C11,12		*	C90-5373-05	ELECTRO 3900UF 32WV	
C13-16			CE04DW1V220M	ELECTRO 22UF 35WV	
C17-24			CF92FV1H222J	MF-C 2200PF J	
C25			CE04DW0J101M	ELECTRO 100UF 6.3WV	
C26			CE04DW1H221M	ELECTRO 220UF 50WV	
C27			CE04DW0J101M	ELECTRO 100UF 6.3WV	
C28			CE04DW1C100M	ELECTRO 10UF 16WV	

Ref. No.	A d d	N e w	Parts No.	Description	Desti- nation
C29			CE04DW1H010M	ELECTRO 1.0UF 50WV	
C30			CE04DW1E330M	ELECTRO 33UF 25WV	
C31			CE04DW1E470M	ELECTRO 47UF 25WV	
C32-43			CK73GB1H103K	CHIP C 0.010UF K	
C44			CE04DW1V220M	ELECTRO 22UF 35WV	
C45			C90-2566-05	ELECTRO 2200UF 16WV	
C46			CE04DW1E100M	ELECTRO 10UF 25WV	
C100			CF92FV1H102J	MF-C 1000PF J	
C101,102			CK73GB1H102K	CHIP C 1000PF K	
C103,104			CE04DW1C100M	ELECTRO 10UF 16WV	
C105,106			CC73GCH1H150J	CHIP C 15PF J	
C109-112			CE04DW1C100M	ELECTRO 10UF 16WV	
C113,114			CC73GCH1H150J	CHIP C 15PF J	
C115,116			CE04DW1C100M	ELECTRO 10UF 16WV	
C117,118			CK73FB1C334K	CHIP C 0.33UF K	
C119,120			CK73GB1E473K	CHIP C 0.047UF K	
C121-124			CE04DW1C100M	ELECTRO 10UF 16WV	
C126			CK73GB1H102K	CHIP C 1000PF K	
C128			CE04DW1C220M	ELECTRO 22UF 16WV	
C129,130			CC73GCH1H470J	CHIP C 47PF J	
C150			CE04DW1V220M	ELECTRO 22UF 35WV	
C151,152			CE04DW1C100M	ELECTRO 10UF 16WV	
C153,154			CC73GCH1H471J	CHIP C 470PF J	
C155,156			CF92FV1H103J	MF-C 0.010UF J	
C157,158			CE04DW1E470M	ELECTRO 47UF 25WV	
C159,160			CC45FSL1H100D	CERAMIC 10PF D	
C161,162		*	CK45FB1H121K	CERAMIC 120PF K	
C163,164			CE04DW1V100M	ELECTRO 10UF 35WV	
C165,166			CF92FV1H102J	MF-C 1000PF J	
C167-170			CC45FSL1H470J	CERAMIC 47PF J	
C191,192			CF92FV1H473J	MF-C 0.047UF J	
C200			CF92FV1H102J	MF-C 1000PF J	
C201,202			CK73GB1H102K	CHIP C 1000PF K	
C203,204			CE04DW1C100M	ELECTRO 10UF 16WV	
C205,206			CC73GCH1H150J	CHIP C 15PF J	
C209-212			CE04DW1C100M	ELECTRO 10UF 16WV	
C213,214			CC73GCH1H150J	CHIP C 15PF J	
C215,216			CE04DW1C100M	ELECTRO 10UF 16WV	
C217,218			CK73FB1C334K	CHIP C 0.33UF K	
C219,220			CK73GB1E473K	CHIP C 0.047UF K	
C221-224			CE04DW1C100M	ELECTRO 10UF 16WV	
C226			CK73GB1H102K	CHIP C 1000PF K	
C228			CE04DW1C220M	ELECTRO 22UF 16WV	
C229,230			CC73GCH1H470J	CHIP C 47PF J	
C250			CE04DW1V220M	ELECTRO 22UF 35WV	
C251,252			CE04DW1C100M	ELECTRO 10UF 16WV	
C253,254			CC73GCH1H471J	CHIP C 470PF J	
C255,256			CF92FV1H103J	MF-C 0.010UF J	
C257,258			CE04DW1E470M	ELECTRO 47UF 25WV	
C259,260			CC45FSL1H100D	CERAMIC 10PF D	
C261,262		*	CK45FB1H121K	CERAMIC 120PF K	
C263,264			CE04DW1V100M	ELECTRO 10UF 35WV	
C265,266			CF92FV1H102J	MF-C 1000PF J	
C267-270			CC45FSL1H470J	CERAMIC 47PF J	
C291,292			CF92FV1H473J	MF-C 0.047UF J	

E1 : Europe K : North America M1 : Other Areas

△ indicates safety critical components.

PARTS LIST

* New Parts

Parts without Part No. are not supplied.

Les articles non mentionnés dans le Parts No. ne sont pas fournis.

Teile ohne Parts No. werden nicht geliefert.

(X09-5370-10)

Ref. No.	A d d	N e w	Parts No.	Description	Desti- nation	Ref. No.	A d d	N e w	Parts No.	Description	Desti- nation
C301,302			CC73GCH1H101J	CHIP C 100PF J		R71 -74			RD14BB2C473J	RD 47K J 1/6W	
C303,304			CF92FV1H224J	MF-C 0.22UF J		R75			RD14BB2C562J	RD 5.6K J 1/6W	
C305,306			CE04DW1H2R2M	ELECTRO 2.2UF 50WV		R100			RD14BB2C102J	RD 1.0K J 1/6W	
C307,308			CE04DW1C100M	ELECTRO 10UF 16WV		R101,102			RK73EB2B102J	CHIP R 1.0K J 1/8W	
C500			CE04DW1V220M	ELECTRO 22UF 35WV		R103-108			RK73GB1J103J	CHIP R 10K J 1/16W	
E2 ,3			E23-0149-05	TERMINAL		R109-112			RK73FB2A103J	CHIP R 10K J 1/10W	
J1	2A	*	E63-0874-05	PIN JACK		R113-116			RK73GB1J823J	CHIP R 82K J 1/16W	
J2	2A	*	E58-0919-05	RECTANGULAR RECEPTACLE		R117-120			RK73EB2B513J	CHIP R 51K J 1/8W	
J3	1B	*	E70-0833-05	SCREW TERMINAL BOARD		R121,122			RD14BB2C222J	RD 2.2K J 1/6W	
TP1 ,2			E40-3640-05	PIN ASSY		R123-126			RK73FB2A103J	CHIP R 10K J 1/10W	
L1			L33-1015-05	CHOKE COIL		R127,128			RK73GB1J223J	CHIP R 22K J 1/16W	
L2		*	L19-0702-05	TRANSFORMER FOR CONVERTER		R129-134			RK73GB1J103J	CHIP R 10K J 1/16W	
F	2B		N80-3010-45	PAN HEAD TAPTITE SCREW		R135,136			RK73GB1J302J	CHIP R 3.0K J 1/16W	
R1 -4			RK73GB1J332J	CHIP R 3.3K J 1/16W		R137,138			RK73GB1J222J	CHIP R 2.2K J 1/16W	
R5			RK73GB1J512J	CHIP R 5.1K J 1/16W		R139,140			RK73GB1J103J	CHIP R 10K J 1/16W	
R6			RK73GB1J303J	CHIP R 30K J 1/16W		R141,142			RK73GB1J163J	CHIP R 16K J 1/16W	
R7			RK73GB1J512J	CHIP R 5.1K J 1/16W		R143-146			RK73GB1J223J	CHIP R 22K J 1/16W	
R8			RD14BB2C682J	RD 6.8K J 1/6W		R148			RK73GB1J153J	CHIP R 15K J 1/16W	
R9			RK73GB1J154J	CHIP R 150K J 1/16W		R149,150			RK73GB1J471J	CHIP R 470 J 1/16W	
R10			RD14BB2C182J	RD 1.8K J 1/6W		R151,152			RK73GB1J302J	CHIP R 3.0K J 1/16W	
R11			RK73GB1J333J	CHIP R 33K J 1/16W		R153,154			RK73GB1J303J	CHIP R 30K J 1/16W	
R12			RK73GB1J562J	CHIP R 5.6K J 1/16W		R155,156			RD14BB2C822J	RD 8.2K J 1/6W	
R13			RD14BB2C223J	RD 22K J 1/6W		R157-160			RD14BB2C821J	RD 820 J 1/6W	
R14			RK73GB1J472J	CHIP R 4.7K J 1/16W		R161,162			RD14BB2C101J	RD 100 J 1/6W	
R15			RK73GB1J681J	CHIP R 680 J 1/16W		R163,164			RD14BB2C102J	RD 1.0K J 1/6W	
R16			RK73GB1J163J	CHIP R 16K J 1/16W		R165,166			RD14BB2C303J	RD 30K J 1/6W	
R17			RK73GB1J103J	CHIP R 10K J 1/16W		R167,168			RD14BB2C820J	RD 82 J 1/6W	
R18			RK73GB1J753J	CHIP R 75K J 1/16W		R169-172			RD14BB2C272J	RD 2.7K J 1/6W	
R19			RK73GB1J104J	CHIP R 100K J 1/16W		R173,174			RD14BB2C431J	RD 430 J 1/6W	
R20			RK73GB1J684J	CHIP R 680K J 1/16W		R175,176			RD14BB2C152J	RD 1.5K J 1/6W	
R21			RK73GB1J103J	CHIP R 10K J 1/16W		R177-180			RD14NB2E101J	RD 100 J 1/4W	
R22 ,23			RK73GB1J303J	CHIP R 30K J 1/16W		R181,182			RD14NB2E221J	RD 220 J 1/4W	
R24 ,25			RD14BB2C681J	RD 680 J 1/6W		R183-186			RD14NB2E4R7J	RD 4.7 J 1/4W	
R26 ,27			RD14BB2C223J	RD 22K J 1/6W		R187-190			R92-0205-05	METAL-PLATE 0.1 K 2W	
R28			RD14BB2C473J	RD 47K J 1/6W		R191,192			RD14DB2H100J	SMALL-RD 10 J 1/2W	
R29			RK73GB1J103J	CHIP R 10K J 1/16W		R194-196			RK73GB1J222J	CHIP R 2.2K J 1/16W	
R30			RD14BB2C560J	RD 56 J 1/6W		R197			RK73EB2B301J	CHIP R 300 J 1/8W	
R31 ,32			RD14BB2C152J	RD 1.5K J 1/6W		R198			RK73GB1J153J	CHIP R 15K J 1/16W	
R33 ,34			RD14BB2C220J	RD 22 J 1/6W		R200			RD14BB2C102J	RD 1.0K J 1/6W	
R35 ,36			RD14BB2C151J	RD 150 J 1/6W		R201,202			RK73EB2B102J	CHIP R 1.0K J 1/8W	
R37 ,38			RD14BB2C472J	RD 4.7K J 1/6W		R203-208			RK73GB1J103J	CHIP R 10K J 1/16W	
R39 ,40			RD14DB2H100J	SMALL-RD 10 J 1/2W		R209-212			RK73FB2A103J	CHIP R 10K J 1/10W	
R41 ,42			RD14DB2H220J	SMALL-RD 22 J 1/2W		R213-216			RK73GB1J823J	CHIP R 82K J 1/16W	
R43 ,44			RD14BB2C392J	RD 3.9K J 1/6W		R217-220			RK73EB2B513J	CHIP R 51K J 1/8W	
R47			RK73GB1J473J	CHIP R 47K J 1/16W		R221,222			RD14BB2C222J	RD 2.2K J 1/6W	
R48			RK73GB1J103J	CHIP R 10K J 1/16W		R223-226			RK73FB2A103J	CHIP R 10K J 1/10W	
R49			RK73GB1J223J	CHIP R 22K J 1/16W		R227,228			RK73GB1J223J	CHIP R 22K J 1/16W	
R51 -54			RD14BB2C431J	RD 430 J 1/6W		R229-234			RK73GB1J103J	CHIP R 10K J 1/16W	
R55 -58			RD14BB2C102J	RD 1.0K J 1/6W		R235,236			RK73GB1J302J	CHIP R 3.0K J 1/16W	
R59 ,60			RK73GB1J332J	CHIP R 3.3K J 1/16W		R237,238			RK73GB1J222J	CHIP R 2.2K J 1/16W	
R61 -64			RD14BB2C431J	RD 430 J 1/6W		R239,240			RK73GB1J103J	CHIP R 10K J 1/16W	
R65 -68			RD14BB2C102J	RD 1.0K J 1/6W		R241,242			RK73GB1J163J	CHIP R 16K J 1/16W	
R69 ,70			RK73GB1J332J	CHIP R 3.3K J 1/16W		R243-246			RK73GB1J223J	CHIP R 22K J 1/16W	
						R248			RK73GB1J153J	CHIP R 15K J 1/16W	
						R249,250			RK73GB1J471J	CHIP R 470 J 1/16W	

E1 : Europe K : North America M1 : Other Areas

⚠ indicates safety critical components.

PARTS LIST

* New Parts

Parts without **Part No.** are not supplied.

Les articles non mentionnés dans le **Parts No.** ne sont pas fournis.

Teile ohne **Parts No.** werden nicht geliefert.

(X09-5370-10)

Ref. No.	A d d	N e w	Parts No.	Description	Desti- nation	Ref. No.	A d d	N e w	Parts No.	Description	Desti- nation
R251,252			RK73GB1J302J	CHIP R 3.0K J 1/16W		Q1 ,2			2SC2412K	TRANSISTOR	
R253,254			RK73GB1J303J	CHIP R 30K J 1/16W		Q3			2SA817A	TRANSISTOR	
R255,256			RD14BB2C822J	RD 8.2K J 1/6W		Q4			2SA1037K	TRANSISTOR	
R257-260			RD14BB2C821J	RD 820 J 1/6W		Q5			2SC2412K	TRANSISTOR	
R261,262			RD14BB2C101J	RD 100 J 1/6W		Q6			2SC945(A)(Q,P)	TRANSISTOR	
R263,264			RD14BB2C102J	RD 1.0K J 1/6W		Q7			2SC3940A(R,S)	TRANSISTOR	
R265,266			RD14BB2C303J	RD 30K J 1/6W		Q9 ,10			2SC945(A)(Q,P)	TRANSISTOR	
R267,268			RD14BB2C820J	RD 82 J 1/6W		Q11 ,12			2SA733(A)(Q,P)	TRANSISTOR	
R269-272			RD14BB2C272J	RD 2.7K J 1/6W		Q13 -16	*		FKV550T*B	FET	
R273,274			RD14BB2C431J	RD 430 J 1/6W		Q17			2SD2396	TRANSISTOR	
R275,276			RD14BB2C152J	RD 1.5K J 1/6W		Q18			2SB1565	TRANSISTOR	
R277-280			RD14NB2E101J	RD 100 J 1/4W		Q21 ,22			2SA733(A)(Q,P)	TRANSISTOR	
R281,282			RD14NB2E221J	RD 220 J 1/4W		Q24			2SC1627A	TRANSISTOR	
R283-286			RD14NB2E4R7J	RD 4.7 J 1/4W		Q25 ,26			2SC945(A)(Q,P)	TRANSISTOR	
R287-290			R92-0205-05	METAL-PLATE 0.1 K 2W		Q27 ,28			2SC1845(F,E)	TRANSISTOR	
R291,292			RD14DB2H100J	SMALL-RD 10 J 1/2W		Q29 ,30			2SA992(F,E)	TRANSISTOR	
R294-296			RK73GB1J222J	CHIP R 2.2K J 1/16W		Q31 ,32			2SC945(A)(Q,P)	TRANSISTOR	
R297			RK73EB2B301J	CHIP R 300 J 1/8W		Q33 ,34			2SC1845(F,E)	TRANSISTOR	
R298			RK73GB1J153J	CHIP R 15K J 1/16W		Q35 ,36			2SA992(F,E)	TRANSISTOR	
R301-306			RK73GB1J432J	CHIP R 4.3K J 1/16W		Q101-104			2SA733(A)(Q,P)	TRANSISTOR	
R307,308			RK73GB1J243J	CHIP R 24K J 1/16W		Q105-108			2SC1845(F,E)	TRANSISTOR	
R309,310			RK73GB1J301J	CHIP R 300 J 1/16W		Q109,110			2SC4137(V,W)	TRANSISTOR	
R311,312			RK73GB1J362J	CHIP R 3.6K J 1/16W		Q111,112			2SC1627A	TRANSISTOR	
R313,314			RK73GB1J112J	CHIP R 1.1K J 1/16W		Q113,114			2SA817A	TRANSISTOR	
R315,316			RK73GB1J432J	CHIP R 4.3K J 1/16W		Q115,116			2SC5100LB	TRANSISTOR	
R317,318			RK73GB1J104J	CHIP R 100K J 1/16W		Q117,118			2SA1908LB	TRANSISTOR	
R319,320			RK73GB1J223J	CHIP R 22K J 1/16W		Q201-204			2SA733(A)(Q,P)	TRANSISTOR	
R401-440			RD14BB2E221J	RD 220 J 1/4W		Q205-208			2SC1845(F,E)	TRANSISTOR	
VR1 ,2			R31-0215-05	VARIABLE RESISTOR		Q209,210			2SC4137(V,W)	TRANSISTOR	
VR3 ,4		*	R31-0232-05	VARIABLE RESISTOR		Q211,212			2SC1627A	TRANSISTOR	
VR5 -8			R32-0030-05	SEMI FIXED VARIABLE RESISTOR		Q213,214			2SA817A	TRANSISTOR	
W351-395			R92-1252-05	CHIP R 0 OHM		Q215,216			2SC5100LB	TRANSISTOR	
S1 ,2			S62-0842-05	SLIDE SWITCH		Q217,218			2SA1908LB	TRANSISTOR	
S3 ,4			S31-2630-05	SLIDE SWITCH		TH1			PTH9L04BD222TS	POSITIVE RESISTOR	
S5 ,6			S62-0842-05	SLIDE SWITCH		TH2			PTH9M04BD222T	POSITIVE RESISTOR	
D1			1N5406-M	DIODE							
D2			RD7.5JS(B)	ZENER DIODE							
D3			RD16JS(B)	ZENER DIODE							
D4 ,5			1SS133	DIODE							
D6			RD5.1JS(B)	ZENER DIODE							
D7			RD10JS(B)	ZENER DIODE							
D8 -12			1SS133	DIODE							
D14 ,15			1SS133	DIODE							
D16			FML22S*A	DIODE							
D17			FML22R*A	DIODE							
D18 ,19			RD16JS(B)	ZENER DIODE							
D20 -40			1SS133	DIODE							
D42 ,43			MA3056WA	ZENER DIODE							
D101-104			1SS133	DIODE							
D201-204			1SS133	DIODE							
IC1 -5			NJM2058M	IC(OP AMP)							
IC6			NJM4565M	ANALOGUE IC							
IC7			NJM2058M	IC(OP AMP)							
IC8			UPC494GS	ANALOGUE IC							

E1 : Europe K : North America M1 : Other Areas

⚠ indicates safety critical components.

KAC-749S

SPECIFICATIONS

Audio Section

Rated Power Output (4Ω)	
A, B Channel (20-20KHz, 0.08% THD)	40W x 4
A, B Channel (DIN45324, +B=14.4V)	40W x 4
Rated Power Output (2Ω)	
A, B Channel (1KHz, 0.8% THD)	60W x 4
Bridged Power Output (4Ω, 1KHz, 0.8% THD)	120W x 2
Max Power Output (4Ω, Normal)	80W x 4
Max Power Output (4Ω, Bridge)	250W x 2
Low Pass Filter (A, B channel, 12dB/oct.)	50Hz - 200Hz
High Pass Filter (A, B channel, 12dB/oct.)	50Hz - 200Hz
Bass Boost Circuit (90Hz)	0.6dB
Frequency Response (+0, -3dB)	5Hz - 50KHz
Signal to Noise Ratio	100dB
Sensitivity (Max) (rated output)	0.2V
Sensitivity (Min) (rated output)	5.0V
Input Impedance	10KΩ

General

Operating Voltage (11V-16V allowable)	14.4V
Current Consumption (1KHz, 10% THD)	26A
Dimensions (Width x Height x Depth)	261mm x 57mm x 256mm
Weight	3.5Kg

KENWOOD follows a policy of continuous advancements in development. For this reason specifications may be changed without notice.

KENWOOD CORPORATION

14-6, Dogenzaka 1-chome, Shibuya-ku, Tokyo, 150-8501 Japan

KENWOOD SERVICE CORPORATION

P.O. Box 22745, 2201 East Dominguez Street,
Long Beach, CA90801-5745, U.S.A.

KENWOOD ELECTRONICS CANADA INC.

6070 Kestrel Road, Mississauga, Ontario, Canada L5T 1S8

KENWOOD ELECTRONICS LATIN AMERICA S.A.

P.O. Box 55-2791 Paitilla, Plaza Credicorp Bank Panama,
Piso 9, Oficina 901, Calle 50, Panama, Republic of Panama

KENWOOD ELECTRONICS BRASIL LTDA.

Av. Moema, 170-17*, Andar-Cobertura "B",
Ed. Maximum Service Center, 04077-020 Moema,
São Paulo-SP-Brasil

KENWOOD ELECTRONICS UK LIMITED

Kenwood House, Dwight Road, Watford,
Herts, WD1 8EB, United Kingdom

KENWOOD ELECTRONICS DEUTSCHLAND GMBH

Rembrücker Str. 15, 63150 Heusenstamm, Germany

KENWOOD ELECTRONICS FRANCE S.A.

13, Boulevard Ney, 75018 Paris, France

KENWOOD ELECTRONICS BELGIUM N.V.

Mechelsesteenweg 418, B-1930 Zaventem, Belgium

KENWOOD ELECTRONICS ITALIA S.p.A.

Via G. Sirtori 7/9, 20129 Milano, Italy

KENWOOD IBÉRICA S.A.

Bolivia, 239-08020 Barcelona, Spain

KENWOOD ELECTRONICS AUSTRALIA PTY. LTD.

(A.C.N. 001 499 074)
16 Giffnock Avenue, Centrecourt Estate, North Ryde,
N.S.W. 2113, Australia

KENWOOD ELECTRONICS (HONG KONG) LTD.

Unit 3712-3724, Level 37, Tower 1, Metroplaza,
223 Hing Fong Road, Kwai Fong, N.T., Hong Kong

KENWOOD ELECTRONICS GULF FZE

P.O.Box 61318, Jebel Ali, Dubai, U.A.E.

KENWOOD ELECTRONICS (THAILAND) CO., LTD.

2019 New Pechburi Road, Bangkapi, Huaykwang,
Bangkok, 10320 Thailand

KENWOOD ELECTRONICS SINGAPORE PTE LTD.

1 Genting Lane, #07-00, Kenwood Building, Singapore 349544

KENWOOD ELECTRONICS (MALAYSIA) SDN BHD

#4.01 Level 4, Wisma Academy Lot 4A, Jalan 19/1,
46300 Petaling Jaya, Selangor Darul Ehsan, Malaysia